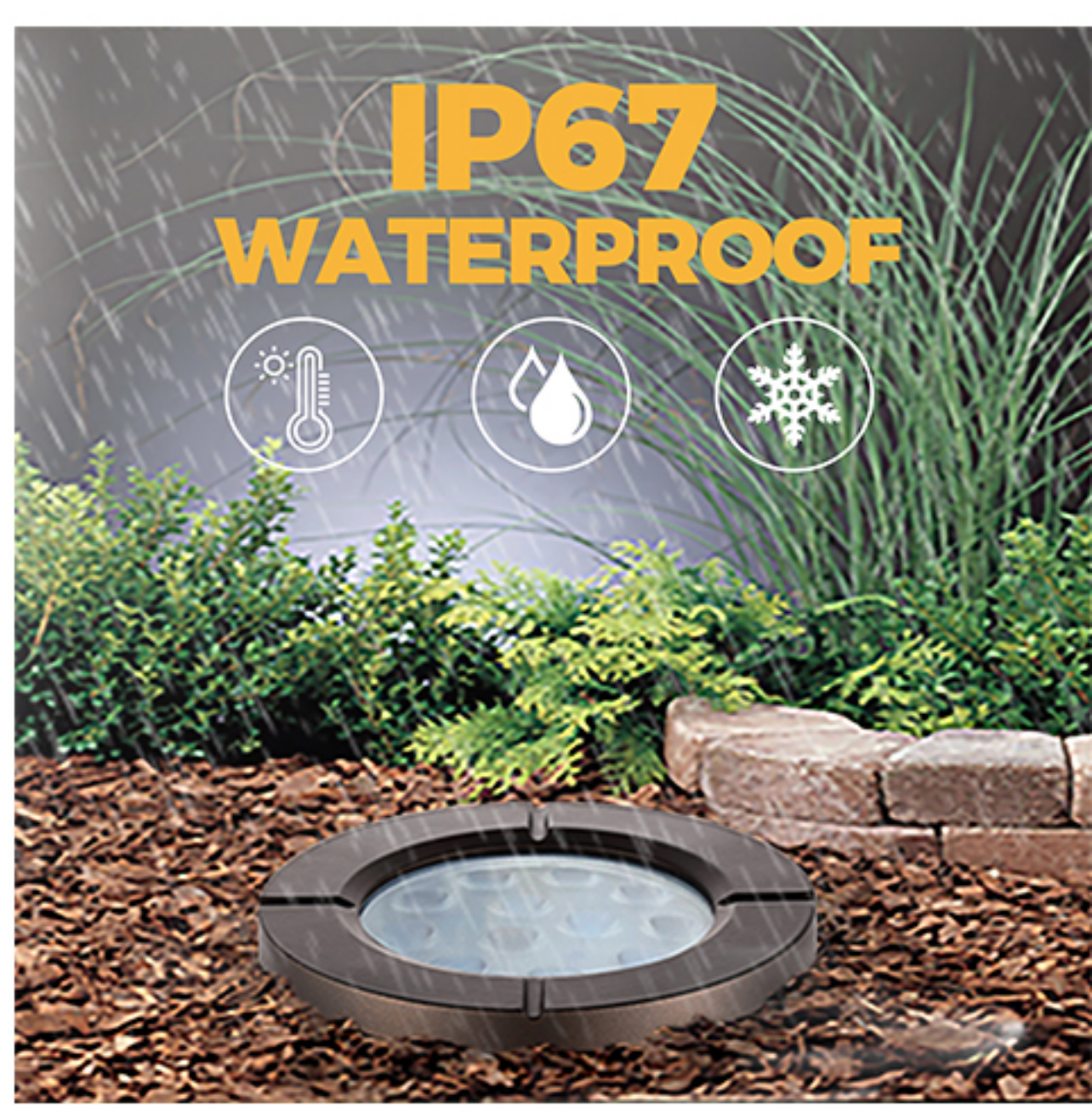




LANDSCAPE LIGHTING

High Features

- Die-cast aluminum lighting body
- Frosted PC lens
- Design for standard United States junction pipe
- Black/ORB colors body finishing optional
- **ETL listed**
- Suitable for Wet location
- Easy Installation
- Save Energy

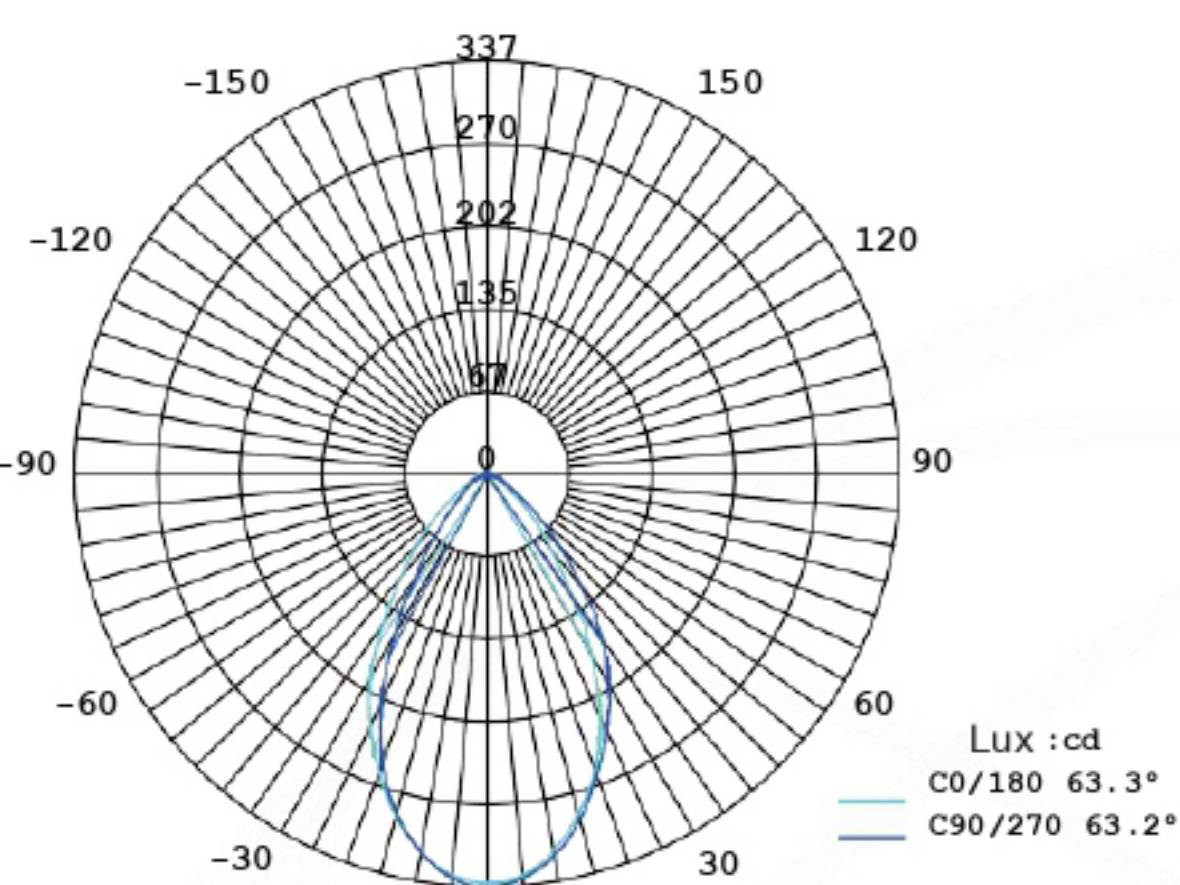


Application

shrub/fence/yard/garden/walkway/column/patio



Photometric



Height	Average illumination	Center luminance	Spot diameter
1.50m	143.47lx	148.30lx	42.16cm
2.00m	80.70lx	83.42lx	35.22cm
4.00m	20.18lx	20.85lx	112.43cm
4.50m	15.94lx	16.48lx	126.49cm
6.00m	8.97lx	9.27lx	168.65cm

Specifications

Optical/Electrical Data

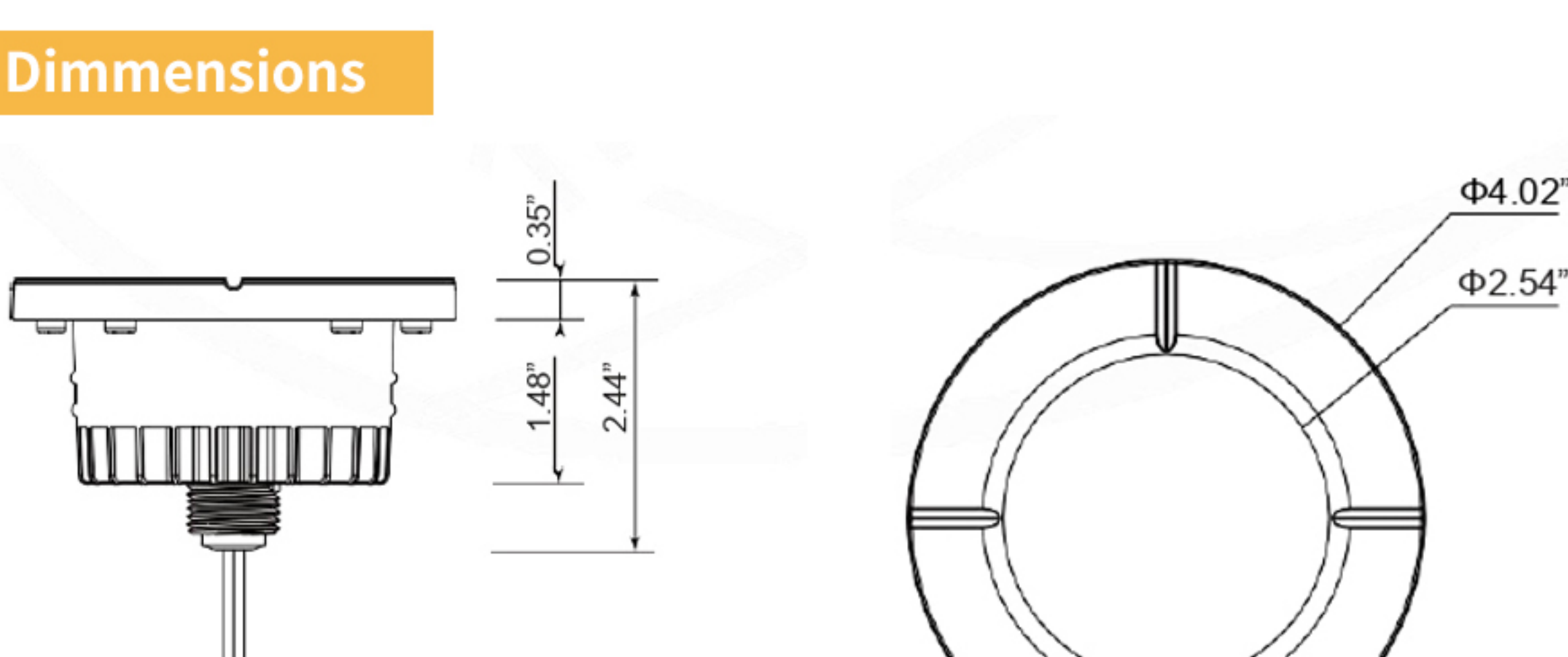
Model No	9100
Wattage	6W
Voltage	12-24V AC/DC
LED Type	SMD2835
Lumens	580lm
Color Temp	2700K
CRI	>90
Product weight	0.87lbs
Beam Angle	52°
Lifespan	50,000hrs
Working temp	-4°F-104°F
Body Material	Aluminum
Lens Material	PC
Cable Material	Copper
Wet Location	IP67

Others

Inner pack	5.04"(L)x4.96"(W)x4.02"(H)
Pcs/ Inner pack	1PC
Outer pack	20.67"(L)x15.75"(W)x8.66"(H)
Pcs/ Outer pack	24PCS
Net Weights	20.9LBS
GrossWeights	23.8LBS



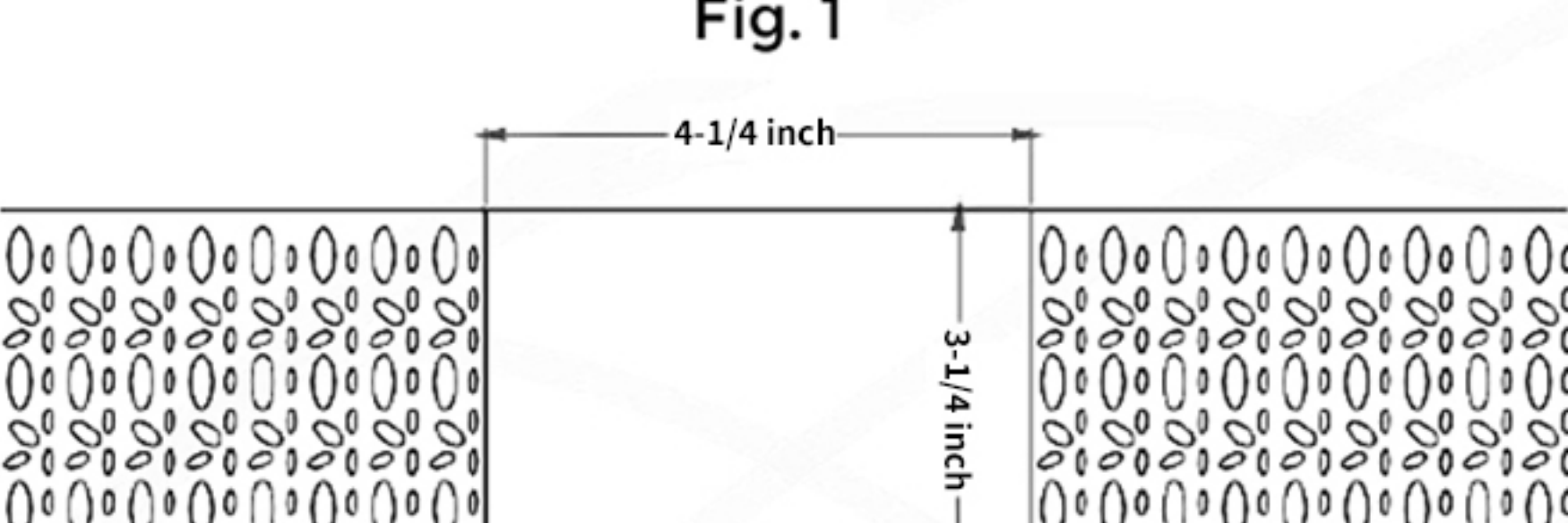
Dimensions



Installation

Step 1. Dig a 4-1/4inch wide and 3-1/4inch deep hole.(Fig. 1)

Fig. 1



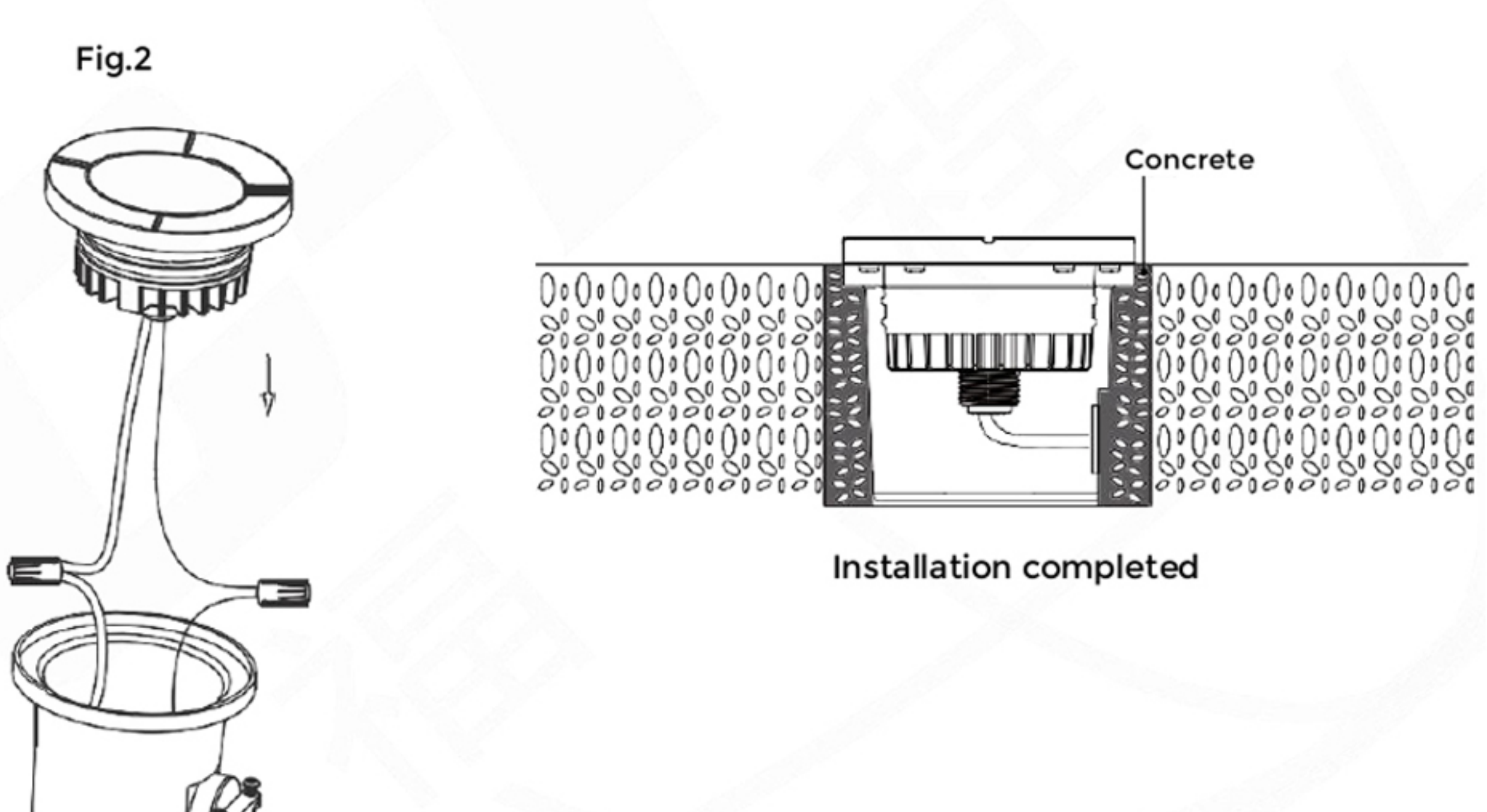
Step 2. Pull the fixture out from the embedded part. Remove the waterproof wire nuts from the embedded part. Then remove enough knockouts to accommodate wires.

Step 3. **TURN OFF THE POWER.** Pass the power supply through the embedded part. Then, place the embedded part in the hole. Use concrete to fill the gap between the embedded part and the hole.

Step 4. Use waterproof wire nuts to connect the lamp wires with the power supply.

Step 5. Buckle the fixture into the embedded part. Then turn the power back on.(Fig. 2)

Fig.2



Day and night light contrast

